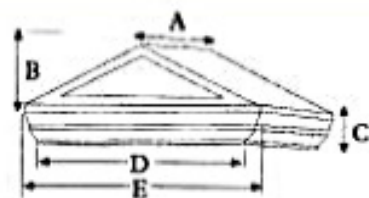


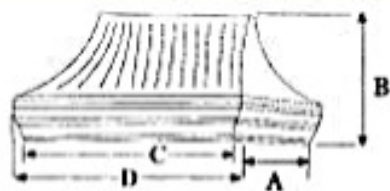
1710 Tynedale



- A - 490 mm
- B - 405 mm
- C - 145 mm
- D - 1445 mm
- E - 1710 mm

1710 Tynedale Door Canopy
with optional brackets (not supplied).

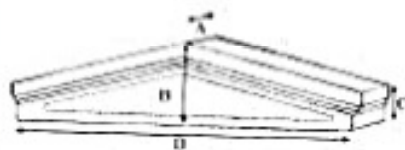
1710 Weardale



- A - 490 mm
- B - 630 mm
- C - 1445 mm
- D - 1710 mm

1710 Weardale Door Canopy
Shown with brackets (not supplied).

Harraton



PROJECTION	A	B	C	D
430 mm	285 mm	270 mm	1500 mm	
430 mm	410 mm	270 mm	1750 mm	
430 mm	440 mm	270 mm	2000 mm	
430 mm	495 mm	270 mm	2500 mm	

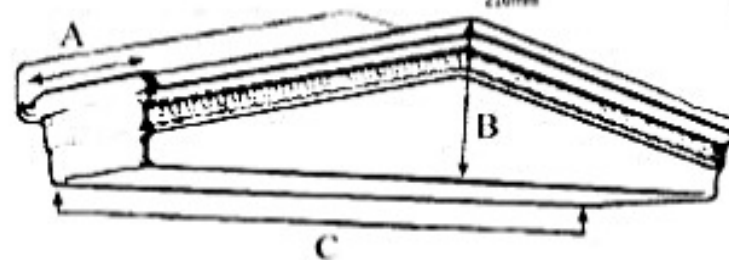
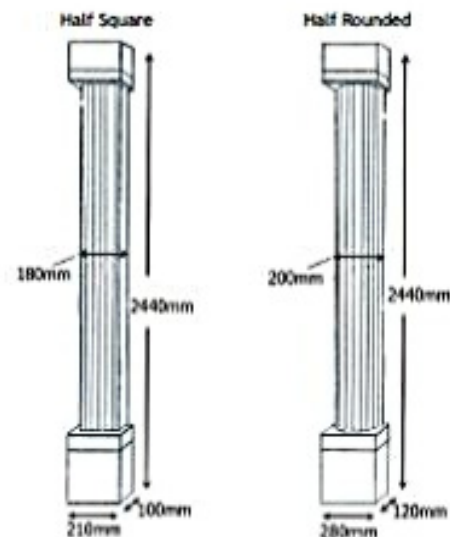
Harraton Door Canopy
Shown with half columns (not supplied).

Teesdale



Toosdale Canopy

Shown with half columns (below, available as an extra).
Can also be fitted with brackets (optional extra).



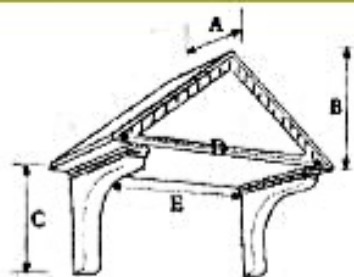
SIZE	A		B	C
	PROJECTION	HEIGHT	HEIGHT (Net including Upstand)	BACK WIDTH
1350 mm	300 mm	600 mm	375 mm	1385 mm
1500 mm	300 mm	600 mm	400 mm	1535 mm
1750 mm	300 mm	600 mm	435 mm	1785 mm
2000 mm	300 mm	600 mm	440 mm	2035 mm
2250 mm	300 mm	600 mm	485 mm	2285 mm
2500 mm	300 mm	600 mm	505 mm	2535 mm
2750 mm	300 mm	600 mm	535 mm	2785 mm
3000 mm	300 mm	600 mm	565 mm	3035 mm

Bow/Bay Window Canopies available with inner and outer
Sizes shown above are approximate and may vary

1450 Albany



1450 Albany Door Canopy
With optional integral brackets

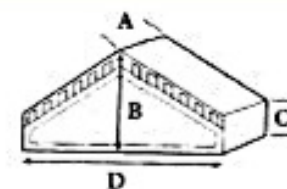


- A - 620 mm
- B - 660 mm
- C - 500 mm
- D - 1450 mm
- E - 1070 mm

1330 Ayton



1330 Ayton Door Canopy
With optional integral brackets



- A - 300 mm
- B - 355 mm
- C - 210 mm
- D - 1330 mm

1455 Croft



1455 Croft Door Canopy
Shown with brackets style E

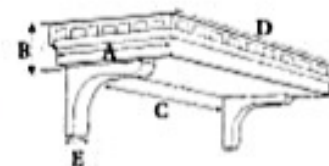


- A - 615 mm
- B - 685 mm
- C - 540 mm
- D - 1455 mm
- E - 1070 mm

1450 Donwell



1450 Donwell Door Canopy
With optional integral brackets

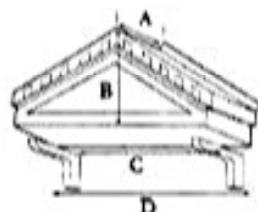


- A - 620 mm
- B - 155 mm
- C - 1110 mm
- D - 1450 mm
- E - 90 mm

1340 Usworth



1340 Usworth Door Canopy
With optional integral brackets

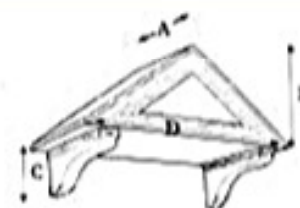


- A - 640 mm
- B - 370 mm
- C - 1000 mm
- D - 1340 mm

1400 Cottage



1400 Cottage Door Canopy
With optional integral brackets



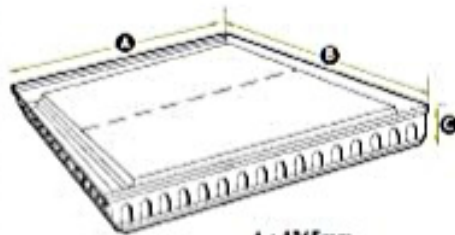
- A - 300 mm
- B - 540 mm
- C - 145 mm
- D - 1400 mm

Porch Roofs



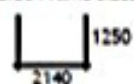
One Piece Porch Roof

Insulated core prevents excessive heat build-up during the summer and allows for the retention of heat during the winter.

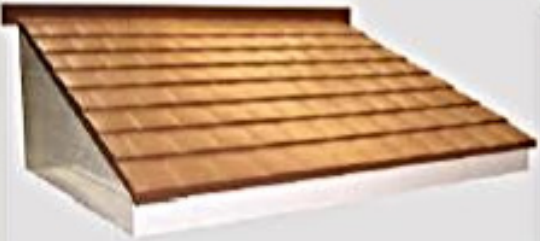


A : 1365mm
B : 2345mm
C : 165mm

Outside Frame sizes

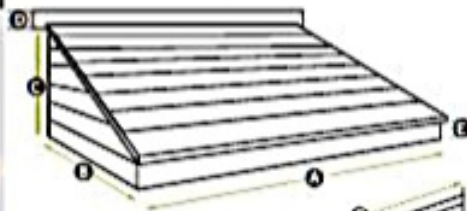


Projection can be reduced



Pitched Porch Roof

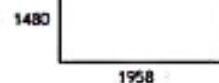
The textured tile effect top is available in either grey or terracotta finish.



A : 2003mm
B : 1505mm
C : 740mm
D : 90mm
E : 150mm
F : 1635mm
G : 1535mm

30mm overhang for gutter

Outside frame sizes



Soffit Brackets also available

Please call for more details



Style A

Style B

Style C



Property Enhancing Canopies And Door Surrounds



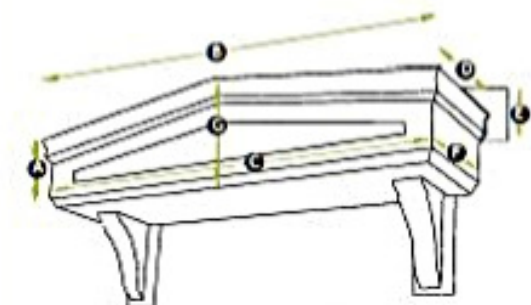
Unit 4 St Hildas Ind Est, Station Rd, South Shields, Tyne&Wear NE33 1RA
Telephone 0843 289 8676 - Fax 0191 456 8682 - Reg. No. 07972256
www.templetowncanopiesltd.co.uk

Dental



Dental Canopy with Gallow Brackets

Available with three sizes of Gallow bracket and decorative glass inserts.



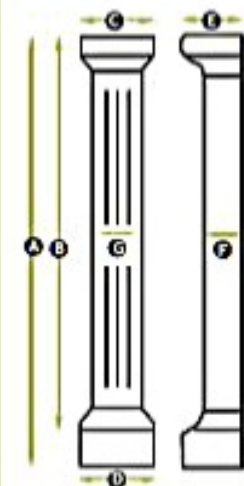
1440mm	1700mm	1955mm	2210mm	2475mm
A : 260	A : 260	A : 260	A : 260	A : 260
B : 1530	B : 1810	B : 2055	B : 2317	B : 2580
C : 1440	C : 1700	C : 1955	C : 2210	C : 2475
D : 410	D : 410	D : 410	D : 410	D : 410
E : 60	E : 60	E : 60	E : 60	E : 60
F : 370	F : 370	F : 370	F : 370	F : 370
G : 350	G : 370	G : 390	G : 405	G : 430

Gallow Brackets



6"	9"	12"
H : 285	H : 325	H : 430
I : 150	I : 230	I : 305
J : 165	J : 150	J : 130

Dental Pillars



Half Round
 A : 2435mm
 B : 2235mm
 C : 310mm
 D : 250mm
 E : 105mm
 F : 90mm
 G : 175mm

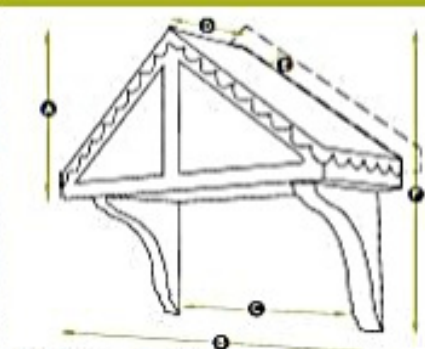
Half Square
 A : 2560mm
 B : 2110mm
 C : 210mm
 D : 220mm
 E : 125mm
 F : 105mm
 G : 170mm

1400 Kendal



1400 Kendal Door Canopy

With loose brackets and lead effect top. Available with glass inserts.



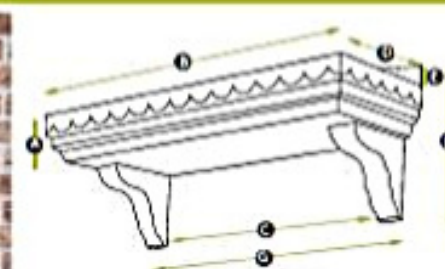
A : 645mm D : 560mm
 B : 1400mm E : 65mm
 C : 1000mm F : 1105mm

1380 Keswick



1380 Keswick Door Canopy

With moulded brackets and lead effect top.



Made to Measure
 up to 2700mm

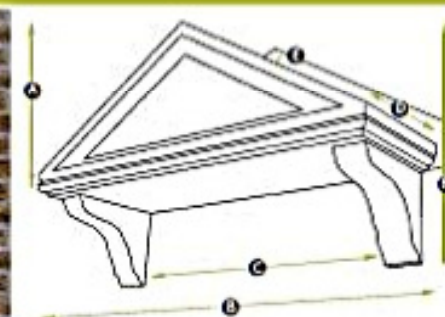
A : 180mm E : 65mm
 B : 1380mm F : 530mm
 C : 1000mm G : 1270mm
 D : 530mm

1350 Victorian



1350 Victorian Door Canopy

With moulded brackets and available with glass inserts.

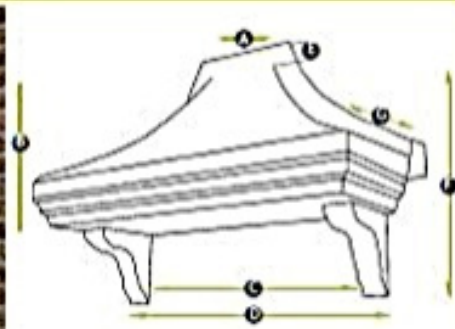


A : 580mm D : 425mm
 B : 1350mm E : 70mm
 C : 1000mm F : 790mm

1375 Rutland



1375 Rutland Door Canopy
With moulded brackets and lead effect top.

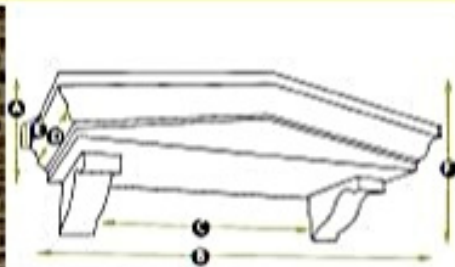


A : 440mm D : 1375mm G : 520mm
B : 685mm E : 60mm
C : 1000mm F : 970mm

1500 Princess



1500 Princess Door Canopy
With moulded brackets and lead effect top.



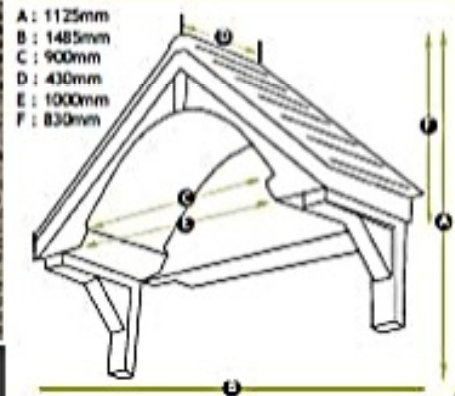
A : 285mm D : 600mm
B : 1500mm E : 70mm
C : 1000mm F : 475mm

Cathedral

Available with either
Grey or Terracotta top.



Cathedral Door Canopy
With loose brackets and optional backboard.

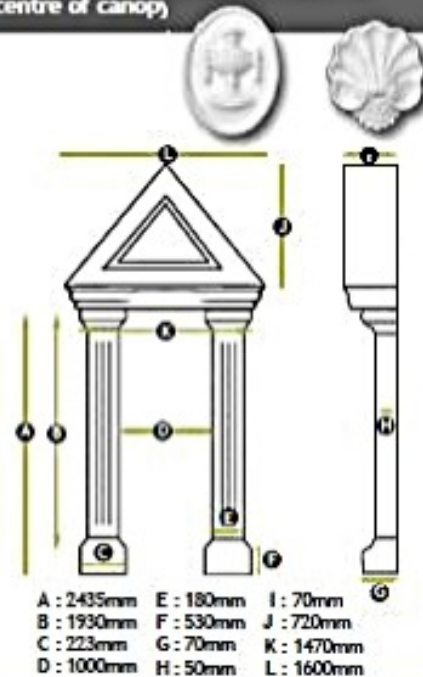


A : 1125mm
B : 1485mm
C : 900mm
D : 430mm
E : 1000mm
F : 830mm

Victorian Surround



1500 Victorian Surround
Available with Shell or Um motif for
centre of canopy

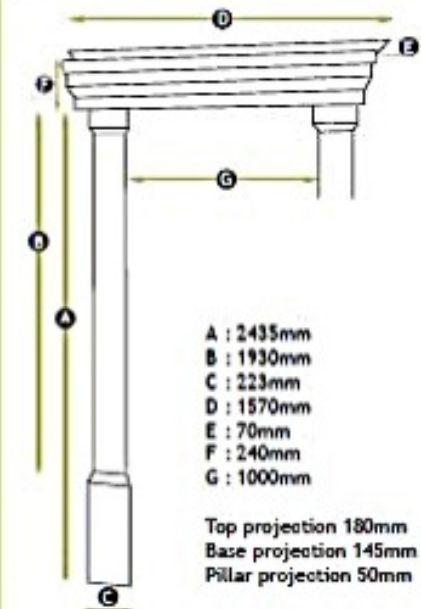


A : 2435mm E : 180mm I : 70mm
B : 1930mm F : 530mm J : 720mm
C : 223mm G : 70mm K : 1470mm
D : 1000mm H : 50mm L : 1600mm

Cambridge Surround



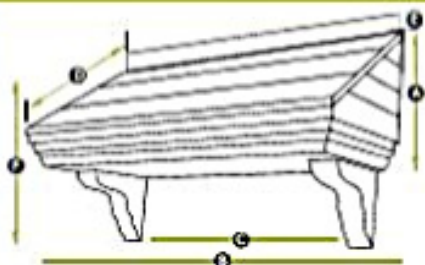
1570 Cambridge Surround
With graceful lines and fine detailing, the
Cambridge door is a best seller.



A : 2435mm
B : 1930mm
C : 223mm
D : 1570mm
E : 70mm
F : 240mm
G : 1000mm

Top projection 180mm
Base projection 145mm
Pillar projection 50mm

Oakham

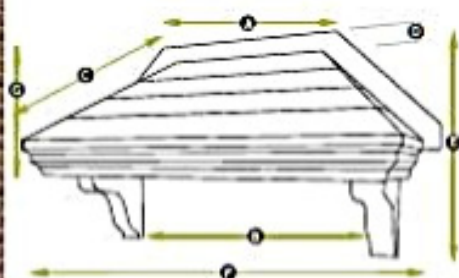


1380 Model	2700 Model
A : 580mm	A : 580mm
B : 1380mm	B : 2700mm
C : 1000mm	C : -
D : 530mm	D : 530mm (Loose brackets)
E : 70mm	E : 70mm
F : 860mm	F : 520mm

Made to Measure up to 2700mm

Oakham Door Canopy
with moulded brackets and either Grey or Terracotta top.

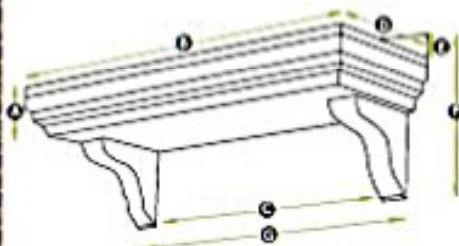
1470 Stafford



A : 750mm	D : 70mm	G : 560mm
B : 1000mm	E : 845mm	
C : 530mm	F : 1470mm	

1470 Stafford Door Canopy
with moulded brackets and either Grey or Terracotta top.

1380 Ullswater



A : 180mm	E : 65mm
B : 1380mm	F : 530mm
C : 1000mm	G : 1270mm
D : 530mm	

Made to Measure up to 2700mm

1380 Ullswater Door Canopy
With lead-effect top and integral moulded brackets.

Gallows Brackets



Style A



Style B



Style C



Style D

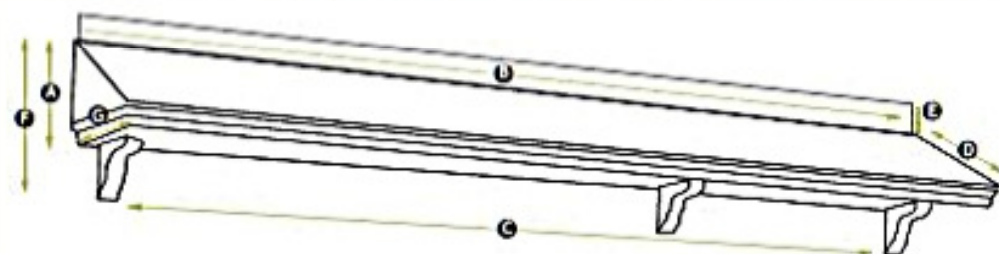


Style E



Style F

Oakham plus



Made to Measure Oakham Canopy
up to 5.4m in length

A : 490mm	E : 70mm
B : 5400mm	F : 770mm
C : -	G : 660mm Base Size (Projected)
D : 700mm	